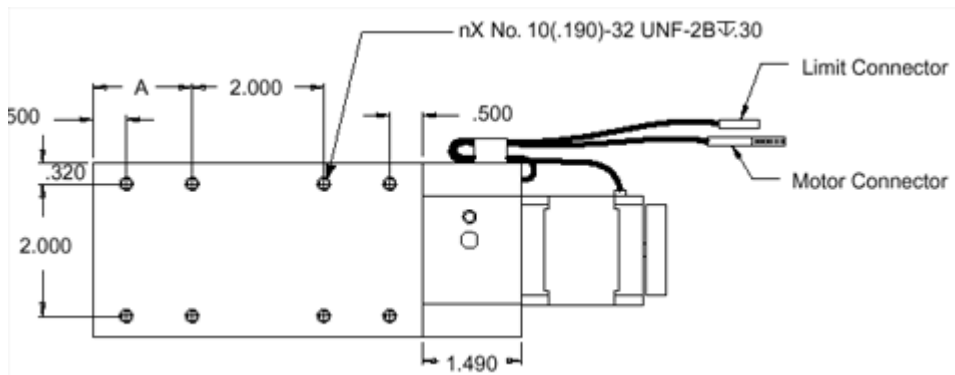


## RM-800™ Compact Ball Way Table

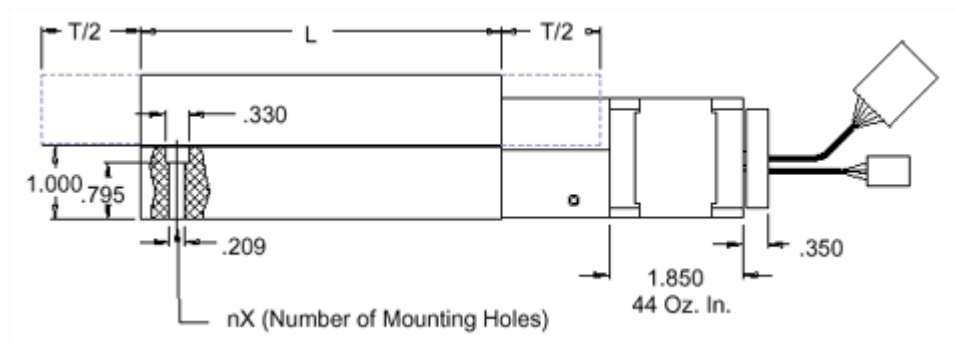


### Product Dimensions

#### Dimensions - Top View

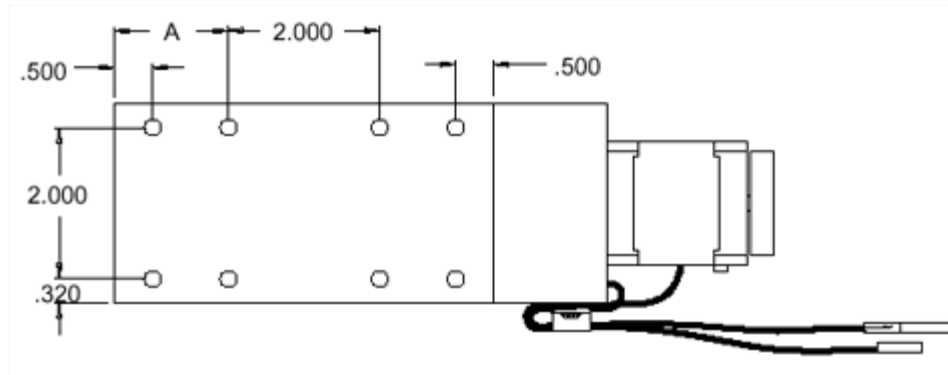


#### Dimensions - Side View

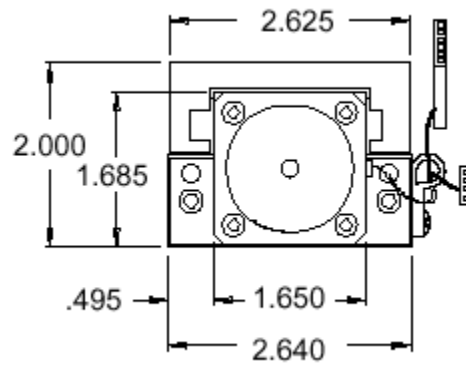


## RM-800™ Compact Ball Way Table

Dimensions - Bottom View



Dimensions - End View



Model	Travel T	Length L	A
RM-800-SM	8.00	9.00	3.500

## RM-800™ Compact Ball Way Table

### Specifications

Travel (inches)		8
Leadscrew Accuracy (µm)	Precision	20
	Commercial	80
Bidirectional Repeatability (µm)	Precision	3
	Commercial	6
Flatness & Straightness (µm)	Precision	20
Pitch & Yaw (arc-seconds)		60
Load Capacity (kg) <sup>1</sup>		40
Maximum Leadscrew Speed (rps)		15
Mass (kg)	Moving	0.6
	Total	2.3

### Configurations

Leadscrew	Lead (inch)	Precision Commercial	0.40, 0.20, 0.10, 0.02 0.50, 0.40, 0.20, 0.10, 0.02
	Lead (mm)	Precision Commercial	2 3, 2, 1.4
Motor	Stepper (oz-in)	400 step/rev	23, others available
		200 step/rev	44, others available
	Servo <sup>3</sup>		brush, brushless

### Options

Encoder	Rotary (counts/rev.) <sup>3</sup>	2000, 4000
---------	-----------------------------------	------------

<sup>1</sup> Please contact our Applications Engineers for loads exceeding 10kg.

<sup>2</sup> Standard configuration is highlighted.

<sup>3</sup> A special motor mount is needed to accommodate a rotary encoder. Please contact our Applications Engineers for dimensional details.